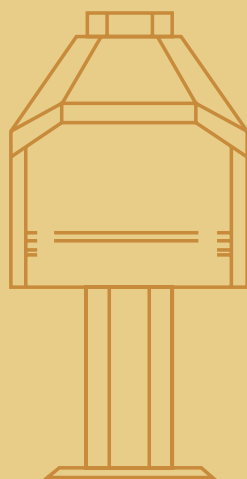




# BARBECUE CATALOGUE

B R A A I L I F E S T Y L E



# Jetmaster Lifestyle

## Perfect for Indoor and Outdoor Lifestyles

Having a barbecue with friends and family is something we all love to do. Whether it's a Sunday get together for a lamb on the spit or a spur-of-the-moment lunch with sizzling burgers and steak rolls, barbecuing has become an essential part of our lives. Jetmaster has perfected the art of creating the ideal barbecue unit to bring out all the aromas and flavours of the ultimate braai.

All our barbecue units are beautifully designed and meticulously crafted with the very best materials. Jetmaster has earned an unrivalled reputation for the best barbecue units and fireplaces over the last 55 years.

At Jetmaster, we have designed a wide range of built-in models to cater for everybody's needs. You can choose between built-in models, all of which can be fitted with either a charcoal tray or gas grill; one free-standing model; also with a charcoal tray or gas grill and a variety of Jetmaster portable gas braais.

## The Jetmaster Range

All our built in barbecue units and fireplaces are manufactured from the highest quality materials. All Jetmaster braais carry a 15-year warranty. Full details on your warranty card/instruction manuals. (Excludes rust)

## Jetmaster Fifteen-year Warranty

## The Jetmaster Lifestyle

Jetmaster barbecue units and fireplaces are easily installed in both new, and existing homes. The wide variety of designs and sizes available enable you to choose one that will blend perfectly with your entertainment area, and add an attractive, functional feature to your home. Best of all, there's no smoke.

Most Jetmaster built-in barbecues are offered in stainless steel and available on application only.

## Stainless Steel

*All Jetmaster gas products and accessories have been approved by the LPGSASA and conform to the highest safety standards.*



## 700 Free Standing



## 700 Standard Barbecue (Charcoal)

## Distinctive design, unmatched quality

Charcoal Grilling Area:  
690 x 345mm

Gas Grilling Area:  
615 x 300mm

This free standing unit is beautifully crafted, yet minimalist in appearance. It's easy and convenient to install and its informal style is perfect for any lazy Sunday afternoon barbecue with friends and family.

It consists of:

- an outer box
- 1.2m steel flue
- fixed cowl
- charcoal tray
- Stainless steel grill and tongs
- door and pedestal
- wall bracket

It also has two grilling heights, a removable charcoal tray for easy cleaning, a gas grill as an optional extra and a door which slides into the unit to become a counter top.



These units are designed for compact living, intimate dinners or small gatherings. Fits easily into small corners and under utilised space.

It consists of

- An outer box
- Light fitting
- Dual tray (left ash pan, right warming section)
- Chrome grill and tongs
- Easy to use door

The charcoal option can easily be converted to a gas unit (see page 7)

## Crafted Style

Charcoal Grilling Area:  
690 x 585mm

Gas Grilling Area:  
630 x 490mm





## 1000 Standard



## 1000 Contractors

## Compact and Stylish

Charcoal grilling area:  
1000 Standard:  
980 x 420mm

Gas grilling area:  
Standard: 700 x 355mm



3



These units were specially designed for smaller gatherings. Their superior quality and outstanding versatility makes them an absolute pleasure to use, every time.

These standard units are ideal for regular barbecues and consist of:

- an outer box
- light fitting
- charcoal tray, stainless steel grill and tongs
- Potjie hook
- Door an optional extra

A Contractor Unit is perfect for smaller settings and is available with four grilling heights.

These standard units are ideal for weekend barbecues and consist of:

- an outer box
- light fitting
- charcoal tray, stainless steel grill and tongs
- charcoal starter
- Potjie hook
- Includes the door

A Contractor Unit is perfect for family get togethers and is available with three grilling heights.

## Charcoal Functional- ity and Design

Charcoal grilling area:  
Standard: 755 x 420mm

Gas grilling area:  
Standard: 700 x 355mm





## 1000 De Luxe



1000 De Luxe Gas Grill

## Gas Griller Conversion

## Smokeless barbecuing at its best

Charcoal 1000  
De Luxe grilling area:  
805 x 420mm

Gas 1000  
De Luxe grilling area:  
700 x 355mm

Isn't it nice to know that smoke is a thing of the past. The Jetmaster 1000 De Luxe is perfect for barbecues, rotisseries and mouth-watering potjies. It's also guaranteed to make you want to braai every day.

This basic unit consists of:

- an outer box
- light fitting
- charcoal tray
- stainless steel grill
- 220V light duty motor
- chicken spit and skewers (2 pairs)

This outstanding barbecue unit will add great value to your outdoor or indoor entertainment - thanks to a choice of charcoal or gas grill, four grilling heights and a removable charcoal tray for easy cleaning.



1000 De Luxe Gas Grill

The 1000 De Luxe barbecue can be converted to a 4 gas burner modular flat top grill, with electric ignitor.

Please note. A standard Jetmaster gas grill can be installed in some of the older designed units, but due to the depth of the box the grill will protrude slightly outside of the front frame. In order to determine what gas unit would fit. Please contact a Jetmaster distributor or a sales representative.



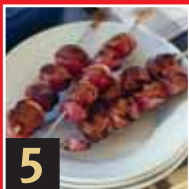


## 1200 Standard



## 1200 & 1500 Super de Luxe

## Quality workman- ship, extra- ordinary performance



5



The Jetmaster 1200 Standard BIB has been designed to give your food that delicious barbecued flavour. It's perfect for gourmet steaks, succulent fish and juicy chicken breasts.

This basic unit has 3 grilling heights and consists of:

- an outer box
- light fitting
- potjie hook
- charcoal starter and disperser
- charcoal tray
- Stainless steel grill and tongs
- door

Charcoal grilling area:  
910 x 460mm or  
2 off 490 x 420mm

Gas grilling area:  
1050 x 455mm

Jetmaster proudly presents the top of the range 1200 and the 1500 Super De Luxe. Both of these units will complement your entertainment area and are guaranteed to enhance a hot summer night's fish braai or a delicious potjie on a chilly winter evening.

They offer a variety of cooking options, such as conventional grilling, chicken or sheep spit roasting, stir frying, potjie cooking, smoker cooking or pizza and bread baking. Full course meals are easily prepared and cooked with fantastic results, thanks to all the available space. The charcoal tray also serves as an ideal warmer tray.

### Features:

- Four grilling heights
- Ash disposal trap and pan for easy cleaning
- A wide variety of grills and accessories

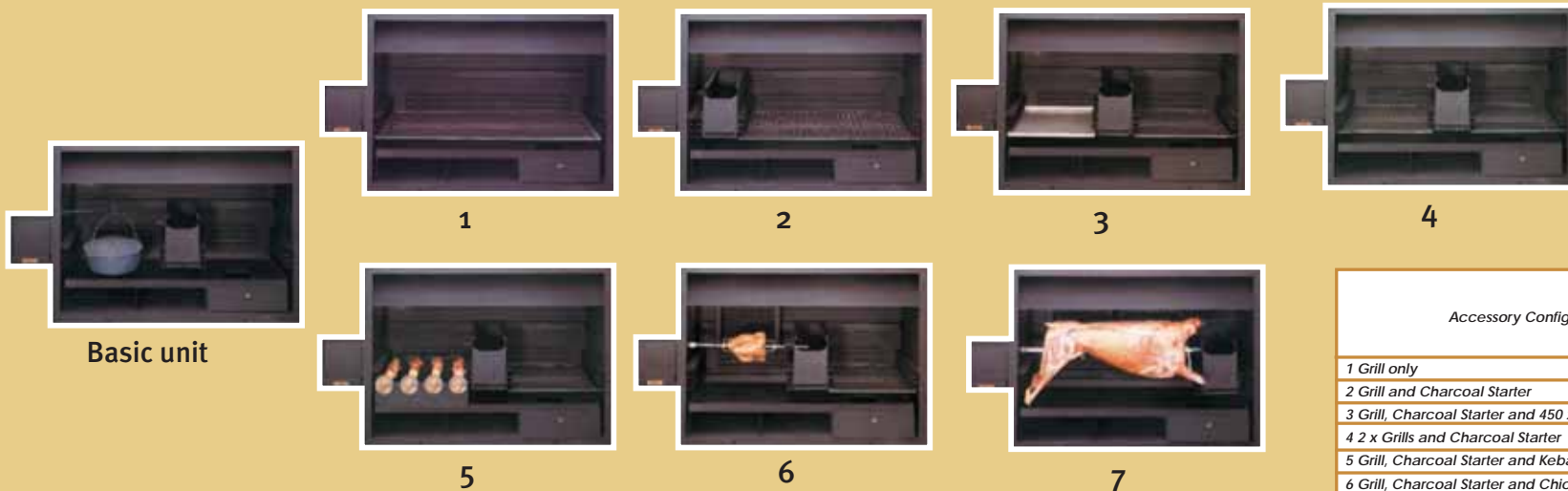
## For the Ultimate Barbecue

Gas grilling area:  
1200 Super De Luxe  
1050 x 445mm

1500 Super De Luxe  
1400 x 445mm



## Grilling Options 1200 & 1500 Super de Luxe



Basic unit

Accessory Configurations	Grill Sizes (mm)	
	1200 Super De Luxe	1500 Super De Luxe
1 Grill only	1180 x 590	1490 x 590
2 Grill and Charcoal Starter	930 x 590	1230 x 590
3 Grill, Charcoal Starter and 450 x 590 Wok	525 x 590	830 x 590
4 2 x Grills and Charcoal Starter	490 x 590	640 x 590
5 Grill, Charcoal Starter and Kebab Set	490 x 590	640 x 590
6 Grill, Charcoal Starter and Chicken Spit	450 x 590	640 x 590
7 Sheep Spit and Charcoal Starter	-	-

## Grilling Options for Unbeatable Flavour

Gas grilling area:

1200 Super De Luxe  
1050 x 445mm

1500 Super De Luxe  
1400 x 445mm

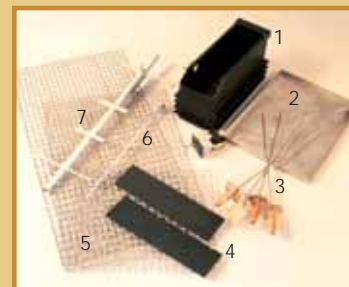
Jetmaster has turned what used to be an ordinary barbecue into an occasion to be celebrated. Each basic unit consists of:

- an outer box with a motor box
- light fitting
- double switch
- charcoal tray with ash disposal trap and pan
- charcoal starter for a quick and continuous supply of embers
- potjie hook
- barbecue tongs

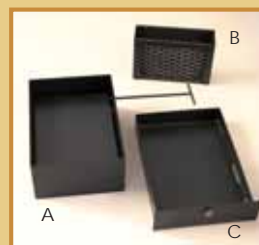
Stylish double doors provide a neat finish to protect your Jetmaster from rain and dust. They also convert your Jetmaster into a baking oven for delicious home-made breads and pizzas. You can also create a variety of smoked meals, thanks to the versatility of these great Jetmaster products.



Clockwise from centre back:  
1 charcoal starter,  
2 stainless steel wok,  
3 four kebab swords,  
4 kebab support plate,  
5 stainless steel grills,  
6 chicken spit with skewer,  
7 sheep spit and 220V heavy-duty spit motor.



We've also created a wide variety of grills and wok sizes for the most adventurous of chefs. The kebab set, chicken or sheep spit, motor and charcoal brazier offer all the opportunities for creative barbecuing. (Gas option available).



(A) Damper Unit,  
(B) Charcoal Brazier and  
(C) Ash Pan.  
The Damper Unit is built into the flue to enable easy baking.

## Optional Accessories - The Jetmaster Finish



**Jetmaster**



## Dual Unit - Dual Cooking



## 700 Standard (Gas)

## Dual Functionality

Jetmaster have recently launched a 1200 and 1500 Dual unit, which combines both gas and charcoal cooking facilities within the same box. The dual unit has two separate doors that seal flush against the body of the unit. The 2 doors slide under the charcoal tray and gas grill and can be used as a preparation counter.

The charcoal tray has ample braaing space and the 3-burner gas grill is designed with wide shaped burners to offer a consistent heat over both the grilling and wok surface. The 1500 Dual unit has a number of configurations in respect of a charcoal starter verses a charcoal tray. Please speak to Jetmaster sales staff in respect of the two different configurations.

Charcoal grilling area:  
1200 495 x 425mm  
1500 (option1) 530 x 530mm  
(option2) 495 x 725mm

Gas grilling area:  
1200 & 1500 490 x 630mm

The 700 gas version of the 700 Charcoal Built In Barbecue offers the same specification but with out the hassle of charcoal. Just turn on the gas, warm the grilling surface and begin cooking.

Unit consists of:

- An outer box
- Light fitting
- Gas grill with igniter (LPGSASA Approved)
- Regulator and copper tubing
- Tongs
- Door and drip tray

## Gas Sophisti- cation



7





## 1000 Focus Gas Grill

### 1000 Focus

Gas grilling area:  
495 x 810mm

Charcoal grilling  
area: 495 x 810mm

Jetmasters built-in gas grill called the 1000 Focus combines the quality of a Jetmaster barbecue with the convenience of gas. The 1000 Focus is set further back and has a door which fits flush against the braai doubling up as a preparation counter.

The gas grill is designed with wide shaped burners to ensure an even heat over the grilling surface.

Unit consists of:

- Outer box plus light fitting
- 220V light duty motor
- Chicken spit and skewers (2 pairs)
- Tongs
- Door
- Charcoal tray, stainless steel grill and tongs (optional)



## 1200 Focus Gas Grill

Jetmaster has recently launched a built-in gas grill called the 1200 Focus which combines the quality of a Jetmaster barbecue with the convenience of gas. The 1200 Focus has more depth to the back ensuring that the gas grill sits flush within the braai. The door slides under the body of the gas grill doubling up as a preparation counter.

The 6-burner gas grill is designed with wide shaped burners to ensure an even heat over the grilling surface. The gas grill is easy to install and adds sophistication to patio entertaining.

Unit consists of:

- Outer box plus light fitting
- 220V light duty motor
- Chicken spit and skewers (2 pairs)
- Tongs
- Door
- Charcoal tray, stainless steel grill and tongs (optional)

### Crafted Style

Gas grilling area:  
490 x 970mm

Charcoal grilling area:  
495 x 980mm





4 Burner Covered Cooker with Side Burner



5 Burner Covered Cooker & Side Burner



4 Burner Stainless Steel with Side Burner

Jetmaster's exciting new range of portable gas barbecues, in a number of models, make barbecuing even easier, quicker and more enjoyable. A unique feature to all the models is that you can use as many or as few burners as you require.

## Portable Gas Barbecues

## Classic patio cooking

Jetmaster's range of covered cookers allow the "chef" to use the dome as a convection oven to roast meat, potatoes and most vegetables.

This adds a new dimension in home cooking and the portable braai becomes a focus point around which friends and family can gather.

The Jetmaster units are manufactured with the highest quality stainless steel burners and a most stylish modern design which will enhance your patio and easily blend with your outdoor entertainment living area.

## CLOSE YOUR KITCHEN... YOUR PATIO IS OPEN FOR BREAKFAST, LUNCH AND DINNER



7 Burner Elite Stainless Steel

Convenient, mobile, compact and easy to use





## Covered Cookers

4 Burner Professional



## Sports Braai

## Compact Cooking

The 4 and 6 burner is the ultimate patio gas barbecue. The difference between the two portable gas barbecues is the size of the grilling/wok space.



6 Burner Professional

The versatility of the cooker allows one to stir-fry on the wok as well as grill on the cast iron ribbed surface.

These units will enhance the look of your outdoor entertainment area and will be the envy of all your friends.

### Flexibility:

Choose your combination of cast iron & wire grids that suits your preference. Close the lid, and control the temperature with the various burner settings. The Sports Braai comes standard with a built in rotisserie.

### Mobility:

Provided with wheels so that the braai can easily be moved to where you want to use it.

### Unique shape:

The most modern design. No other unit has the same sporty image to it.

### Cooking:

The versatility of the Sports Braai allows various methods of cooking i.e. grilling, frying and roasting.

### Easy to clean:

The grids can easily be removed for cleaning and fit in any sink or dishwasher.

This unit was completely designed in South Africa keeping the South African way of braaing in mind





## Gas Burning Pizza Oven



## Wood Burning Pizza Oven

## Perfect Pizza

Jetmaster have launched the ultimate Pizza Oven, which is available in gas or wood. The oven has a stainless steel door flap, which is used to trap the heat in the oven while the food is baking, the stainless steel door flap can also function as a preparation counter. Both models are supplied with a Pizza paddle, which can be used to load and remove the food from the oven.

This oven is an amazing draw card for friends and family and is the ultimate in outdoor entertaining. The oven offers the versatility of a traditional oven where children can make pizza, and add their favourite ingredients and watch their Pizza bake to perfection. The oven allows the chef the opportunity to bake different types of bread, lasagnes, other Mediterranean dishes and experiment to their heart's content.



11

**Wood Pizza Oven**  
Length - 1100 mm  
Width - 850 mm  
Diameter - 850 mm  
Height - 680 mm

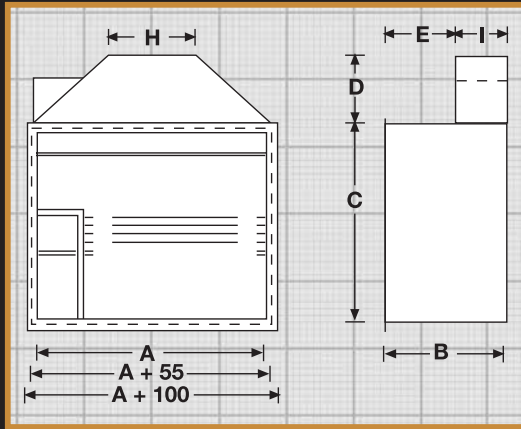
**Gas Pizza Oven**  
Length - 1100 mm  
Width - 720 mm  
Diameter - 720 mm  
Height - 560 mm



All units are  
delivered with a  
full instruction  
manual.

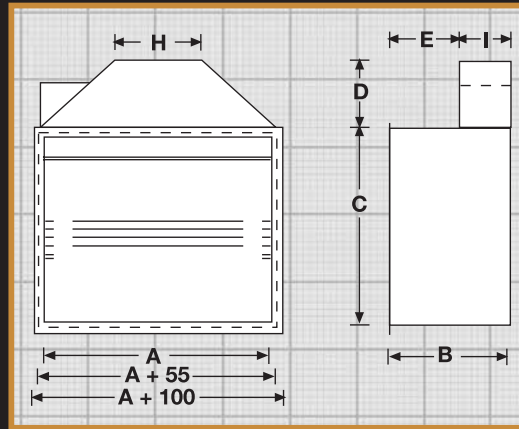
**Jetmaster**

### 1000 De Luxe



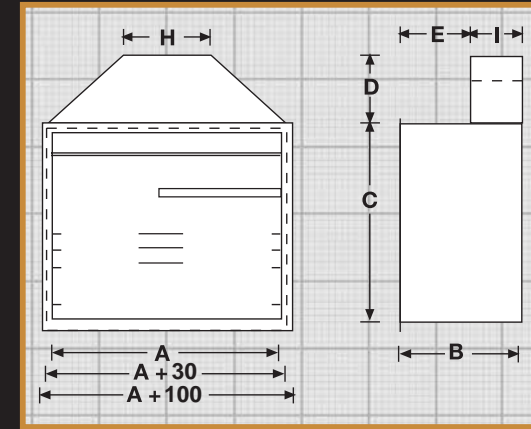
Model & size	mm					Flue size	
A	B	C	D	E	H	I	
1000	450	745	295	250	400	200	

### 1000 Standard



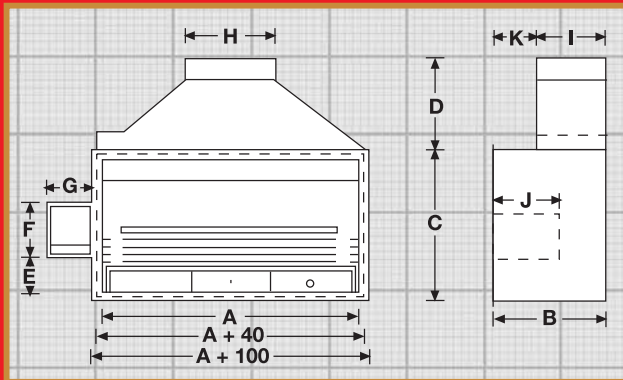
Model & size	mm					Flue size	
A	B	C	D	E	H	I	
1000	450	745	295	250	400	200	

### 1200 Standard



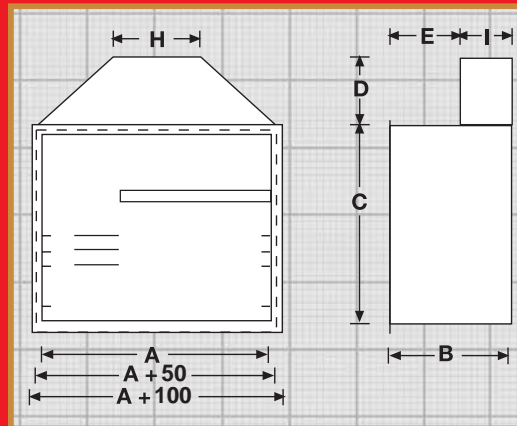
Model & size	mm					Flue size	
A	B	C	D	E	H	I	
1175	530	910	270	150	500	350	

### 1200 & 1500 Super de Luxe



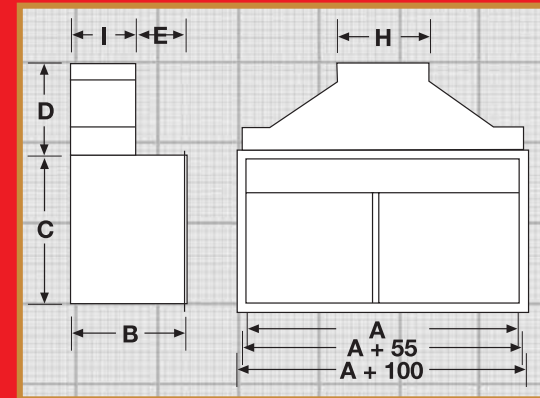
Model & size	mm									Flue size	
A	B	C	D	E	F	G	J	K	H	I	
1200	605	925	500	255	255	255	350	255	500	350	
1500	605	925	500	255	255	255	350	255	500	350	

### 1000 Contractors



Model & size	mm					Flue size	
A	B	C	D	E	H	I	
1000	450	745	295	250	400	200	

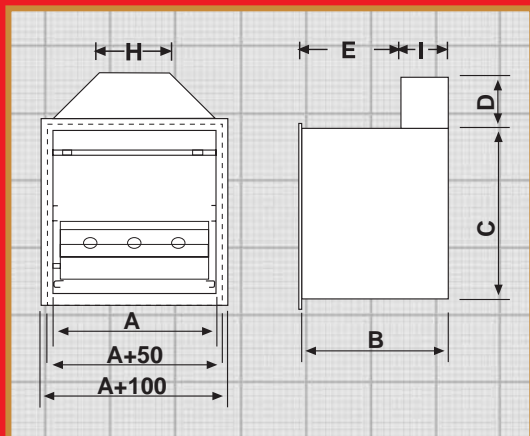
### Dual Unit



Model & size	mm					Flue size	
A	B	C	D	E	H	I	
1200 Dual	630	815	505	280	500	350	
1500 Dual	630	815	505	280	500	350	

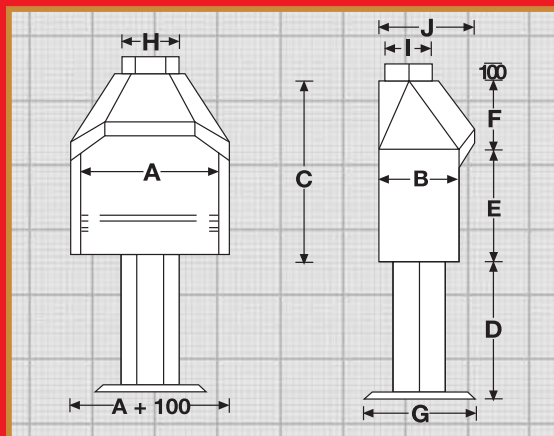
# Technical Specifications

## 700 Standard Built in Barbecue



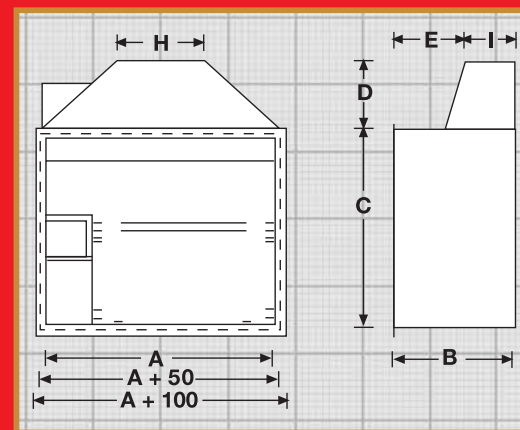
Model & size	mm						Flue size	
A	B	C	D	E	H	I		
700	635	730	220	435	300	200		

## 700 Free Standing



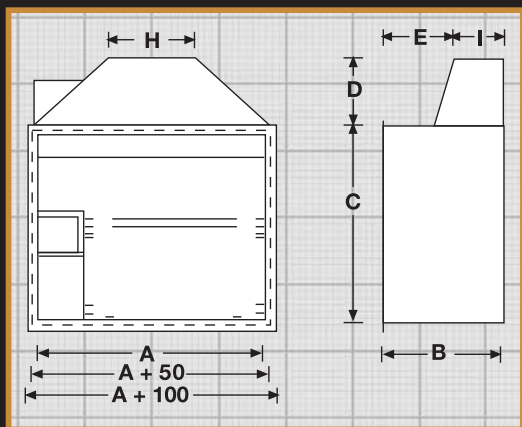
Model & size	mm									Flue size	
A	B	C	D	E	F	G	J	H	I		
700	400	920	730	580	340	560	475	295	255		

## 1000 Focus Gas Grill



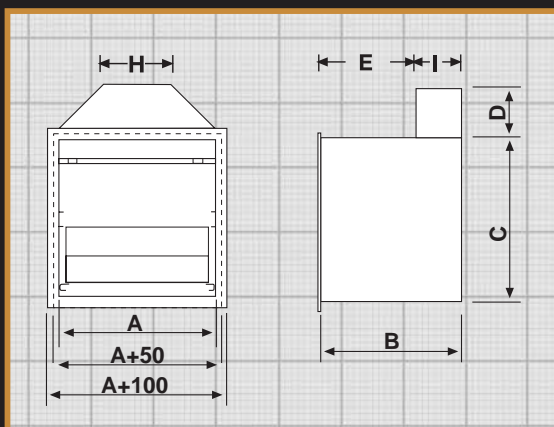
Model & size	mm					Flue size		
A	B	C	D	E	H	I		
1000 Focus	630	730	330	430	400	200		

## 1200 Focus Gas Grill



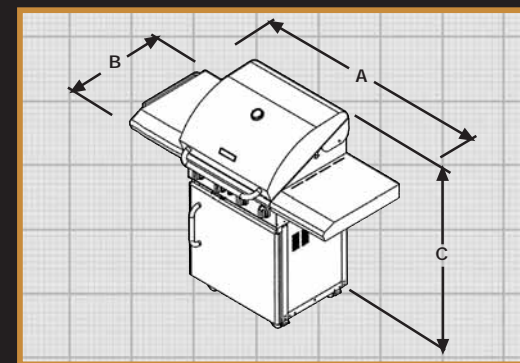
Model & size	mm						Flue size	
A	B	C	D	E	H	I		
1200 Focus	630	730	295	280	500	350		

## 700 Standard Barbecue (Charcoal)



Model & size	mm						Flue size	
A	B	C	D	E	H	I		
700	635	730	220	435	300	200		

## Outdoor Kitchens



Model	A mm	B mm	C mm	Grill area mm
4 Burner	1510	600	1230	660 x 490
5 Burner	1680	600	1230	820 x 490
7 Burner	2080	600	1230	820 x 490
Professional 4B	1570	600	1155	810 x 490
Professional 6B	1680	600	1155	970 x 490

Jetmaster offers an extensive range of accessories which allow you to customise your braai and portables to suit your individual needs and taste.



**Turbo Cowl**

Prevents down-draughts and rain entering the flue which could lead to rust. Recommended for use in areas with severe wind conditions.



**Fixed Cowl**

Prevents down-draughts and rain entering the flue which could lead to rust. An attractive feature on your chimney.



**Stainless Steel Gas Grill with Flame Failure Device**

Suitable for the 700 Standard, 700 Free Standing, 1000 Standard, 1000 De Luxe, 1200 Standard, 1200 and 1500 Super De Luxe models. Complete with drip tray, regulator, non-porous barbecue rocks, copper tubing and tongs.

**Nylon Cover Available for:**



- 4 Burner Covered Cooker
- 5 Burner Covered Cooker
- 7 Burner Covered Cooker
- 6 Burner Professional



**Rotating Cowl**

Equally suited for preventing down-draughts and rain entering the flue which could lead to rust. Recommended for thatch or timber roof installations.



**Moulded Flue Liners**

These liners and bends (back and sides) give you a perfect flue of the correct size. They require no internal plastering and only one course of brick work - reducing labour and material cost. Available in 900 mm lengths.



**Hanging Basket**

**Spit & Motor**

**Disclaimer**

Product may differ slightly to that pictured in the brochure.

**PLEASE NOTE:** Gas regulations state that all units **MUST** be installed by a licensed gas technician to ensure safety and functionality.

**Accessories**



# Life 'n Leisure

C E N T R E

Johannesburg	1316 Clubhouse Street, Maraisburg, Roodepoort	011 661 5900
Pretoria - Menlyn	Shop LF 8/9, Menlyn Shopping Centre, PTA	012 348 7741
Cape Town	Cnr. Koeberg RD & School Street, Milnerton, CT	011 552 0808
Richards Bay	63 Kabel Kring, Alton, Richards Bay	035 797 5800
Umhlanga	Cnr. Solstice & Meridian Rd, Umhlanga	031 566 2252
Springfield	The Home Centre, Shop 211, Intersite Avenue, Springfield	031 263 0483
Margate	Shop 1, 229 Marine Drive, Margate	039 312 0820/90
East London	3 Nottingham Rd, Gately, EL	043 731 1246
Port Elizabeth	130 Burman Rd, Deal Party, PE	041 486 1471
Middelburg	10 Milli Street, Middelburg	013 246 2600
Witbank	Shop 43, Highveld Mall, Witbank	013 692 3568

**For more information or your nearest distributor Contact 086-100-3838**

**Jetmaster is the sole agent to sell and distribute Amesti In South Africa.**

**Web address: [www.jetmaster.co.za](http://www.jetmaster.co.za)**

Dealer

**Tel: (011) 661-5900  
Fax: (011) 473-1199**



Reproductions of this brochure are not permitted. Trade marks & copyright 2006 Jetmaster (Pty)Ltd.

**Specifications: Whilst every endeavour will be made to supply the goods illustrated in this catalogue, any photograph, description, specification or illustration generally represents Jetmaster's goods offered. They do not constitute a sale by description. Jetmaster reserves the right to supply similar but not identical goods to those illustrated. All heating capacities quoted are based on the British standard.**



Member of the Argent Industrial Group